



## **Standard Operating Procedures**

### **For Single-Family Residential Inspections**

This guide lists most of the normally required inspections for single-family residential construction. There may be more or fewer required inspections at the discretion of the Building Official to verify code compliance. It is the responsibility of the job superintendent to assure that the project is ready for inspection and accessible for the inspector. The City of Freeport adheres to and enforces the 2015 International Residential Codes, 2015 International Building Codes, 2014 National Electrical Code and 2015 IECC (Energy Code) per State of Texas, and 150 mph winds per Code Tables.

***To Schedule Inspections call 979-871-0109***

1. All inspections

- 1.1 Proper address clearly visible from the street.
- 1.2 City approved plans on site.
- 1.3 Leave correction or approval notice at all inspections.
- 1.4 Verify previous notice on re-inspections.
- 1.5 Verify inspections comments from printout on re-inspections.
- 1.6 Check general cleanliness of job site.
- 1.7 Debris containment provided on site.
- 1.8 Construction barrier on job sites bordering occupied residence.
- 1.9 Keep the streets clear of construction materials and debris.
- 1.10 Proper extension cords are in use.
- 1.11 Water used for construction from water bibs or fire hydrants shall have a back-flow prevention device.
- 1.12 Provide temporary restroom facilities on location within 200 feet of every home under construction.
- 1.13 Provide silt fencing at perimeter of construction site, protected construction entrance, and sand bags or other approved storm water protection measure at storm sewer inlets.
- 1.14 Provide a "wash-out" area for concrete.

1. T-Pole inspections

- 2.1 Pole is secure in ground.
- 2.2 Outlets with GFCI Protection and provided with proper weatherproof covers.
- 2.3 Ground wire secure to ground rod.
- 2.4 Box is weatherproof, in good condition, and displaying location address.

2. Ground plumbing inspections (Schedule with sewer & water line inspection.)

- 3.1 DWV test: Hydrostatic (water) test with stack 10' above finished floor inside forms, visually check joints for leaks; No air test allowed for PVC (plastic pipe or fittings).
- 3.2 Building drain minimum 12" depth at building exit.
- 3.3 Pipe properly sloped.
- 3.4 Pipe is continuous bedded in solid material.
- 3.5 Sleeve all plumbing in structural beams with a min. 24" long SDR pipe 2 sizes larger than pipe being sleeved.
- 3.6 Verify proper pipe joint connection including: de-burring, primer, and glue.

3. Water line inspection (Schedule with sewer & ground plumbing inspection.)

- 4.1 Proper materials and fittings used.
  - 4.2 Line is located minimum 5' horizontally from sewer or on shelf 12" above sewer.
  - 4.3 Line is continuous bedded in solid material and will have minimum 12" of cover.
  - 4.4 Line is air tested to 60 psi minimum or city water is on.
4. Sewer line inspection (schedule with water and ground inspections).
- 5.1 Provision is made to allow a minimum of 12" of fill over sewer line.
  - 5.2 Sewer is properly sloped and bedded in sand.
  - 5.3 Clean out provided at transition from building drain to building sewer (no more than 3' away from foundation), and at any change in direction, and sewer runs greater than 100' L.F.
  - 5.4 Sewer is tested with water stack 10' above finished floor, outside form.
6. Foundation inspection (Must have a 10' hydrostatic test on PVC)
- 6.1 Closed form survey with top of slab and natural grade elevations noted. Must be delivered to Permit office before inspection.
  - 6.1.1 Call Drilled Piers in as a partial foundation inspection and coordinate with the building department for an inspection time or have the Engineer of record provide a sealed letter of inspection certifying that "the piers were installed per the engineers design and the approved plans".
  - 6.1.2 Piling survey to be submitted to office before scheduling a piling inspection (Elevated home only)
  - 6.1.3 Site inspection of pilings to verify placement and compliance with setbacks and easements (elevated home only)
  - 6.2.1 Provide FEMA elevation certificates in required areas. There will be three certificates in total, Construction documents, Building under construction, and Final construction.
  - 6.2.2 AE zones, the lowest floor must be above base flood elevation by a minimum of 18".
  - 6.2.3 AO zones, the lowest floor must be above the highest adjacent existing natural grade at least as high in feet on the city's FIRM plus 18".
  - 6.2.4 X zones, top of form must be 18" above natural grade (NG). No elevation certificate required for X zone.
  - 6.3 Beam layout, beam sizes, tendon count, corner bars, and reinforcing steel per city approved plans **with engineer stamp.**
  - 6.4 Provide an electrode located near bottom of foundation consisting of 20' of reinforcing bar minimum 1/2", or 20' of bare copper not smaller than 4 AWG.
  - 6.5 Pads are firm and even.
  - 6.6 Provide string lines to verify slab thickness.
  - 6.7 Beams are firm in bottom, no water covering steel or tendons.
  - 6.8 No holes in vapor barrier, vapor barrier taped at all seams with min overlap of 6".
  - 6.9 No structural steel in slab shall be supported by steel supports in contact with ground (tape or wrapped steel supports not allowed).
  - 6.10 Mastic barrier on all exposed PVC to 4" above finished floor minimum.
  - 6.11 Plumbing DWV system shall be tested after installation by hydrostatic (water) test of 10' head. No air test on PVC.
  - 6.12 Pipes passing under a footing or passing thru a beam shall be provided a pipe sleeve, two pipe sizes larger than the pipe passing through it.
  - 6.13 All tub buckets to have a minimum of 4" of clearance to vapor barrier on all sides.
7. Cover-up inspections – *Structure is dried-in: roofing complete, all doors and windows installed sheathing and moisture barrier installed and sealed.* The plumbing and gas shall have a pressurized test on system. Install temporary guard rails at stairs and balconies (frame, electric, plumbing, gas, mechanical, and fire blocking). **Must have engineer letter of approval for 150 mph winds per 2015 IRC wind maps.** Provide a FEMA elevation certificate for Homes elevated on pilings based on building under construction to the building department: For VE zones, the bottom of the lowest horizontal structural member must be above base flood elevation by a minimum of 12".

## 7.1 WALLS

- 7.1.1 Studs shall be a minimum No. 3, standard or stud grade lumber.
- 7.1.2 The size, height, and spacing of studs shall be in accordance with table R602.3 (with exceptions).
- 7.1.3 Where joists, trusses or rafters are spaced more than 16" on center and the bearing studs are spaced 24" on center, such members shall bear within 5" of studs beneath (with exceptions).
- 7.1.4 Notching of any stud in an exterior wall or bearing partition may be cut or notched to a depth not exceeding 25% of its width. Nonbearing partitions may not exceed 40% of a single stud.
- 7.1.5 Drilling and boring of any stud, the diameter of the resulting hole shall not be more than 60% of the stud's width, the edge of the hole is no more than 5/8 inch to the edge of the stud, and the hole is not located in the same section as a cut or notch. Studs located in exterior walls or bearing partitions drilled over 40% and up to 60% shall be doubled with no more than 2 successive doubled studs bored (with exception).
- 7.1.6 Top plates shall not be less than 2" nominal thickness and have a width at least equal to the width of the stud (with exception).
- 7.1.7 Bottom (sole) plate, studs shall have full bearing on a nominal 2-by or larger plate or sill having a width at least equal to the width of the studs.
- 7.1.8 Drilling and cutting of the top plate by more than 50% of its width shall require a galvanized metal plate to be fastened across and to the plate at each side of the opening with not less than 8 16D nails at each side (with exception).
- 7.1.9 Fire blocking shall be provided to cut off all concealed draft openings (both vertical and horizontal) and to form a barrier between stories and between a top story and roof space.
- 7.1.10 Headers over all openings sized properly.
- 7.1.11 Where opening of an operable window is located more than 72" above finish grade or surface below, the lowest part of the clear opening of the window shall be a minimum of 24" above finish floor of the room located (with exception).
- 7.1.12 Glazing requirements for windows shall refer to section R308.

## 7.2 CEILING/FLOOR

- 7.2.1 Ceiling joists sized per city-approved plans
- 7.2.2 Habitable rooms, hallways, corridors, bathrooms, toilet rooms, laundry rooms, and basements shall have a ceiling height of not less than 7' measured from finish floor to lowest projection of ceiling (with exceptions).
- 7.2.3 Ends of joist shall not have less than 1.5" of bearing on wood or metal and not less than 3" on masonry or concrete.
- 7.2.4 Joist framing from opposite sides of bearing wall shall lap a minimum of 3" and nailed together with a minimum (3) 10D face nails.
- 7.2.5 Ceiling joist shall be supported by approved framing anchors or on ledger strips not less than nominal 2" x 2".
- 7.2.6 Ceiling joist shall be supported laterally at the ends by full depth solid blocking (minimum 2" nominal thickness), or by attachment to a full-depth header, band, or rim board/joist, or to an adjoining stud or otherwise provided with lateral support to prevent rotation (Rat Run).
  - 7.2.6.1 Ceiling joist exceeding a nominal 2" x 12" shall be supported laterally by solid blocking, diagonal bridging or a continuous 1" x 3" strip nailed across bottom in intervals not exceeding 8'.
  - 7.2.6.2 Drilling and notching of structural ceiling/floor members shall not be cut bored or notched in excess of the limitations allowed.
- 7.2.7 Buildings with combustible ceiling or roof construction shall have an attic access opening (22 x 30) to attic areas that exceed 30 square feet and have a vertical height of 30" or more.

### 7.3 ROOF

- 7.3.1 Rafters shall be framed to ridge board (1 inch minimum) nominal thickness and hip and valley ridges (2 inch minimum) nominal thickness and shall be supported by a brace to a bearing partition to distribute load.
- 7.3.2 Where ceiling joists are not connected at rafters, rafter ties shall be installed to provide a continuous tie, minimum 2 x 4 nominal.
- 7.3.3 Hip and valley ridges that are spliced must be laminated on both sides with 1/2-inch plywood extending a minimum of 18" from both sides of splice.
- 7.3.4 Purlins shall be sized no less than the required size of the rafters they support. Purlins shall be continuous and supported by 2 x 4 braces installed to bearing walls at a slope not less than 45° from horizontal and spaced not more than 4' on center and the unbraced length of braces not to exceed 8'.
- 7.3.5 The ends of rafters and ceiling joist shall have not less than 1-1/2" of bearing on wood/metal and not less than 3" on masonry/concrete.
- 7.3.6 Rafters and ceiling joist exceeding 2 x 10 (nominal dimension) shall be provided with lateral support at points of bearing to prevent rotation.
- 7.3.7 Rafters and ceiling joists exceeding 2 x 12 (nominal dimension) shall be supported laterally by solid blocking, diagonal bridging or continuous 1 x 3 nailed across at intervals not exceeding 8'.
- 7.3.8 All valleys, hip ridges, and braces to be supported with 2 or more studs at load bearing walls (departmental policy).

### 7.4 STAIRS

- 7.4.1 Stair minimum width of 36" in clear width at all points above the permitted handrail height and below the required headroom height.
- 7.4.2 The minimum headroom in all parts of the stairway shall not be less than 6' 8".
- 7.4.3 Stair riser's 7-3/4" maximum with 3/8 of inch variance over all.
- 7.4.4 Minimum tread depth of 10" with a nosing of no less than 3/4" and not greater than 1 1/4" with 3/8 inch variance over all (with exceptions).
- 7.4.5 Handrails shall be provided on at least one side of each continuous run of treads or flight with 4 or more risers.
- 7.4.6 Handrail height, measured vertically from nosing shall not be less than 34" and no more than 38" (with exceptions).

### 7.5 ELECTRICAL

- 7.5.1 Wiring is properly imbedded in walls
- 7.5.2 Minimum wire size recommendation of 12 gauge.
- 7.5.3 Aluminum wire not allowed past meter.
- 7.5.4 Outlets shall be installed so that no point measured horizontally along the floor line in any wall space is more than 6'.
- 7.5.5 A wall space is considered any space 2' or more in width, including around corners and unbroken along floor line.
- 7.5.6 Hallways 10' or more in length shall have at least one outlet.
- 7.5.7 Outlets installed at kitchen counter tops 12" or wider and no point along wall is more than 24" horizontally from an outlet (with exception).
- 7.5.8 Island and Peninsular counter spaces shall have at least one outlet installed.
- 7.5.9 Outlets are allowed to be located above, but not more than 20" above countertop.
- 7.5.10 Outlets at islands are to be located no more than 12" below the top of countertop. Outlets shall not be located below a countertop where the countertop extends more than 6" beyond its base.
- 7.5.11 At least one outlet shall be installed in bathrooms within 36" of the outside edge of each basin (with exception).
- 7.5.12 Proper box fill (number of conductors and appliances in embedded electrical box).

- 7.5.13 Where subject to damage, wiring methods thru notched/bored holes less than 1-1/4" from the nearest edge of the stud shall be protected with a nail plate 1/16-inch thick and appropriate length.
- 7.5.14 All smoke detectors shall be listed in accordance with UL 217 and installed with the provision of this code and the household fire warning equipment provision of NFPA 72.
- 7.6 PLUMBING
- 7.6.1 Water distribution piping to be tested to 60 psi, visually check system for leaks.
- 7.6.2 DWV to be tested with Hydrostatic (water) test 5' above the highest fitting connection or the highest point of the completed system. No air test allowed for PVC (plastic pipe or fittings).
- 7.6.3 All installed shower pans on test for inspection (filled with water 2" at a minimum).
- 7.6.4 Water distribution piping properly sized, correct material used, joints properly made water portability correctly protected.
- 7.6.5 Drains properly sized and sloped, correct materials used, fitting properly utilized, joints properly made, traps correctly protected with vent.
- 7.6.6 Drilling or notching of structural members within allowable limits or correctly repaired.
- 7.6.7 All piping (other than steel or cast iron) within 1-1/4" of edge of wood members shall be protected with 16-gauge shield plates.
- 7.6.8 Lead test; check solder content in water distribution piping joints for lead content.
- 7.6.9 Fixtures provided with adequate space and clearances.
- 7.6.10 No plumbing vent terminal within 10' of operable windows, doors, or soffit vents unless 2' above opening.
- 7.6.11 Toilet flanges on wood decking secured with minimum of 4 fasteners.
- 7.6.12 Plumbing cleanouts provided with proper clearance.
- 7.6.13 Water heater installed properly; T&P discharge pipe made of correct materials and joints, not trapped, contains no more than (4) 90° fittings and no longer than 30' in developed length unless pipe is upsized (manufacturer); drain pan required where leakage may cause damage with minimum 1" drain line. The T&P line can drain to the pan with an air gap, as long as the pan drains to the outside.
- 7.6.14 Dual water heaters can be installed in parallel with equal hot water connections, not in series.
- 7.7 GAS
- 7.7.1 Rough inspection; Gas test minimum 40 psi with a SPRING type test gauge. Gas METER or GTO inspection; Gas test min 5 psi using a DIAPHRAGM type test gauge.
- 7.7.2 Gas piping proper size per sizing table 2015 International Code.
- 7.7.3 Gas piping within structural concrete foundations shall be installed inside conduit, sealed where piping enters/exits conduit, and conduit is vented to outside.
- 7.7.4 All gas vents terminated with approved cap the correct distance above roof and away from walls, windows, soffits, etc.; roof penetration properly flashed.
- 7.7.5 Recommend to Install a full bore gas valve between gas meter and house.
- 7.7.6 The 6" City cleanout for lots at the tap area must remain. Example: there is a 6" by 4" double Y so the 6" cleanout must extend to above the ground.
- 7.8 MECHANICAL
- 7.8.1 Appliances installed in rooms shall be accessed by an opening or door, unobstructed passageway not less than 24" wide, a level service space not less than 30" deep and the height of the appliance.
- 7.8.2 Appliances installed in attics shall be provided with an opening and clear and unobstructed passageway for removal of largest appliance, passageway 24" wide, a level service space 30" deep and 30" wide, with a clear access opening a minimum 20" x 30" (with exceptions).

- 7.8.3 A luminaire shall be located at the required opening controlled by a switch and a receptacle outlet at or near appliance.
- 7.8.4 Pipes installed thru bored holes, notches in studs, joist, and rafters less than 1-1/4" from nearest edge to be protected with shield plates to extend 2" above bottom plate and 2" below top plate.
- 7.8.5 Foundations and supports for outdoor mechanical systems shall be raised a minimum 3" above finished grade.
- 7.8.6 Secondary A/C drains terminated at an exterior conspicuous point of disposal, or installation for float switch in drain pan wired to disable the mechanical unit in place of a secondary drain line.
- 7.8.7 Condensate drain line size shall be not less than 3/4-inch (internal diameter), shall not be decreased in size from drain to point of disposal and installed at a uniform slope.
- 7.8.8 Primary drain line to be insulated from unit to point of entry at top plate (departmental policy).
- 7.8.9 Mechanical units and ducts properly supported to building structure.
- 7.8.10 Prohibited locations for return air for air heating or cooling systems (with exceptions).
- 7.8.11 Fireplace appliances with class B gas vents installed per manufacturer instructions.
- 7.8.12 Overhead exhaust hoods, a clearance of 24" shall be maintained between the cooking surface and the combustible material or cabinet.
- 7.8.13 Exhaust ducts for clothes dryers shall terminate to outside and not less than 3' in any direction from openings into building.
- 7.8.14 Four (4) inch clothes dryer exhausts ducts shall not exceed 35' with deductions of 2.5' for 45° and 5' for 90° changes of direction.
- 7.8.15 Dryer exhausts pipe size min 4" and shall not be reduced or increased. The exhaust pipe must be the same size throughout to termination.
- 7.8.16 Exhaust termination shall not be screened and shall have a damper type end fitting.

#### 7.9 FIRE BLOCKING

- 7.9.1 Fire blocking shall be provided to cut off all concealed draft openings (vertical and horizontal) and to form an effective fire barrier between stories, and between a top story and a roof space.
- 7.9.2 Fire blocking shall be provided for chimneys and fireplaces.
- 7.9.3 The integrity of all fire blocks shall be maintained.
- 7.9.4 Fire blocking material shall consist of nominal lumber, 2 layers of 5/8" OSB, 3/4" plywood, 1/2" sheetrock, or 1/4" hardiplank. Batts and blankets of mineral wool or glass fiber or other approved materials installed and secured in place shall be permitted.

#### 7.10 CHIMNEYS AND FIREPLACES

- 7.10.1 Hearth extensions shall extend at least 16" in front and 8" beyond each side of the fire place opening. Where the fire place opening is 6 square feet or larger, the hearth extension shall extend 20" in front and 12" beyond each side of the opening.
- 7.10.2 Fire place clearance of all wood beams, joists, studs and other combustible material shall have a clearance of not less than 2" (with exceptions).
- 7.10.3 All spaces between chimneys and floors and ceilings through which chimneys pass shall be fire blocked with noncombustible material securely fastened in place.
- 7.10.4 Factory-built fire places shall be listed and labeled and shall be installed in accordance with the conditions of the listing (manufacturer).
- 7.10.5 Hearth extensions of approved factory-built fireplaces shall be installed in accordance with the listing of the fireplace.
- 7.10.6 Factory-built chimneys shall be listed and labeled and shall be installed and terminated in accordance with the manufacturer's installation instructions.

#### 8. Brick Tie Inspections and Lathe inspections (separate inspections)

- 8.1 Ties 16" on center vertically and horizontally. Two nails per tie.
- 8.2 Masonry veneer shall be anchored to the supporting wall with corrosion-resistant metal ties.

- 8.3 Ties shall be placed around all wall openings greater than 16" in either dimension. Install ties within 12" of all openings.
  - 8.4 A water-resistive barrier shall be applied as a means of draining water to the exterior of the veneer; not less than a 2-inch overlap applied horizontal and a 6-inch overlap applied vertical.
  - 8.5 All lath and lath attachments (weep screeds) shall be corrosion-resistant material.
  - 8.6 Service entrance conductors entering or on the exterior of building shall be insulated.
  - 8.7 Exterior wall penetrations shall be made watertight, sealed, and rodent-proof. All electrical, plumbing, and gas lines penetrating exterior walls shall be insulated and protected from corrosion.
9. Driveway/sidewalk/flatwork inspection(s) (See City detail.)
- 9.1 No vegetation within formed area.
  - 9.2 Level grade properly (4" depth minimum).
  - 9.3 Proper tie-in to street per city detail.
  - 9.4 Two (200) hundred square feet maximum without expansion joints.
  - 9.5 Sidewalks, doweled expansion joint 36' and 4' to control joints.
  - 9.6 Rebar splices will overlap 30 times the diameter of rebar spliced.
  - 9.7 Expansion joint provided between structure and outdoor paving (dowels not required).
  - 9.8 Minimum #4 rebar dowels 12" minimum through expansion joints in driveways, #3 rebar minimum at sidewalks and patios (not required into foundations) maximum 24" O.C." or #6 wire mesh.
10. Electrical Meter Inspection for temporary utilities, TCI (**TEMPORARY POWER form must be received and approved in office prior to inspection request.**)
- 10.1 Grounding electrodes properly connected to service panel.
  - 10.2 Rod and pipe electrodes not less than 8' in length.
  - 10.3 Verify metal water piping shall be bonded to the service equipment.
  - 10.4 Verify Gas system is bonded back to service equipment.
  - 10.5 Main disconnect located at exterior of building next to meter, not higher than 6'-7" above grade.
  - 10.6 Proper meter can per utility provider, Center Point, or Texas New Mexico.  
Service panel is weather tight and no slots are left open in panel.
  - 10.7 A minimum clear space is provided at front of the service panel 30" wide and 36" deep.
  - 10.8 **Aluminum** wire is not allowed as conductors past the meter to the service panel. Service provider will feed aluminum wire from transformer to meter. (This only applies to Texas New Mexico. Center Point will not do this service.)
  - 10.9 An Electrical inspection without an approved TCI form will require that all wiring to be terminated in fixtures, outlets, and switches (no open wiring, electrical system complete).
11. Gas Test/Meter Inspection (Recommend a full bore gas valve between the gas meter and house).
- 11.1 All gas-fired and vented appliances properly installed and safe to operate.
  - 11.2 Sediment trap installed on furnace and water heaters not equipped with integrated trap.
  - 11.3 Gas-fired water heater relief valve(s) and discharge piping complete.
  - 11.4 Gas test minimum 5 psi using a **diaphragm** type test gauge; observe 15 minutes for pressure drop.
  - 11.5 All gas piping complete to equipment shut-off valve which is within 6' maximum of appliance and readily accessible; gas line is connected to appliance or line is capped past valve if appliance will be added later (clothes dryer, range, grill); sediment trap correctly installed between shut-off valve and water heater or furnace
  - 11.6 All gas vents properly installed and (manufacturer); supported; terminated with approved cap the correct distance above roof and away from walls, windows, soffits, etc.; roof penetration properly flashed {G2426.7.5}; sloped minimum 1/4" per foot; horizontal run of vent connector does not exceed vertical rise from draft hood to terminal; proper clearance to combustibles maintained (manufacturer).
  - 11.7 Clearances around appliances maintained (manufacturer).
  - 11.8 Appliances provided with correct combustion and ventilation air

- 11.9 Appliances in an attic, provide a minimum 30"x 22" opening, a clear and unobstructed minimum 24" wide catwalk by 30" high continuous to be a path that is no longer than 20' from opening to the appliance and terminating to a minimum 30" x 30" platform in front of the service side of appliance.
- 11.10 Disappearing attic Ladder installed correctly "with a minimum of (8) 16D nails or 4 1/2" x 4" lag screws.
- 11.11 Clearances around gas meter from ignition sources (electrical meter & panels and A/C) per utility provider requirements are minimum 3'-0".
- 11.12 Gas piping system bonded back to service panel per electrical code.

12. Public works Inspection. Available upon request.

13. Final Occupancy Inspection

- 13.1 Provide Final Proof of Windstorm by engineer letter to meet 150 mph winds per Code Tables.
- 13.2 Provide the final Elevation Certificates and Final Survey – marked "Finished Construction."

13.3 BUILDING

- 13.3.1 Permanent address in place.
- 13.3.2 Portable restrooms and silk screen fencing removed from site.
- 13.3.3 Windstorm panels and connections located on site.
- 13.3.4 Weep holes open at bottom of brick walls and over all lintels, maximum spacing of 33".
- 13.3.5 Tendon ends grouted, nails removed.
- 13.3.6 Lot graded for proper drainage, minimum of two rows of sod at street for run-off protection.
- 13.3.7 Doors operate properly and without the use of keys.
- 13.3.8 Hands rails (34" to 38" height) and guardrails (36" minimum height) with guards spaced no greater than 4" apart.
- 13.3.9 All penetrations at exterior of structure are properly sealed.
- 13.3.10 All construction debris, port-a-cans removed from site.

13.4 ELECTRICAL

- 13.4.1 Main disconnect located at exterior next to meter, at a maximum height of 6' 7" above grade.
- 13.4.2 Main breaker and all circuits must have permanent labels (Ink no pencil) in service panel and face plate secured in place.
- 13.4.3 T-Pole disconnected and removed from site.
- 13.4.4 All exterior receptacles shall have ground-fault circuit-interrupter protection.
- 13.4.5 Operable switch, lights, and plugs in all habitable rooms.
- 13.4.6 All light fixtures installed interior and exterior and sealed properly, no blank plates at boxes.
- 13.4.7 Check for operation of dishwasher, food waste grinder, cook top, cook top exhaust/microwave, and oven.
- 13.4.8 Required ground-fault circuit-interrupter GFCI protected receptacles function properly, reset on same floor, outside resets in garage.
- 13.4.9 Kitchen receptacles that serve countertop surfaces shall have ground-fault circuit-interrupter GFCI protection.
- 13.4.10 Spa tub disconnect in proper location – 5' minimum from tub.
- 13.4.11 Check all outlets, switches, and appliances for proper operation.

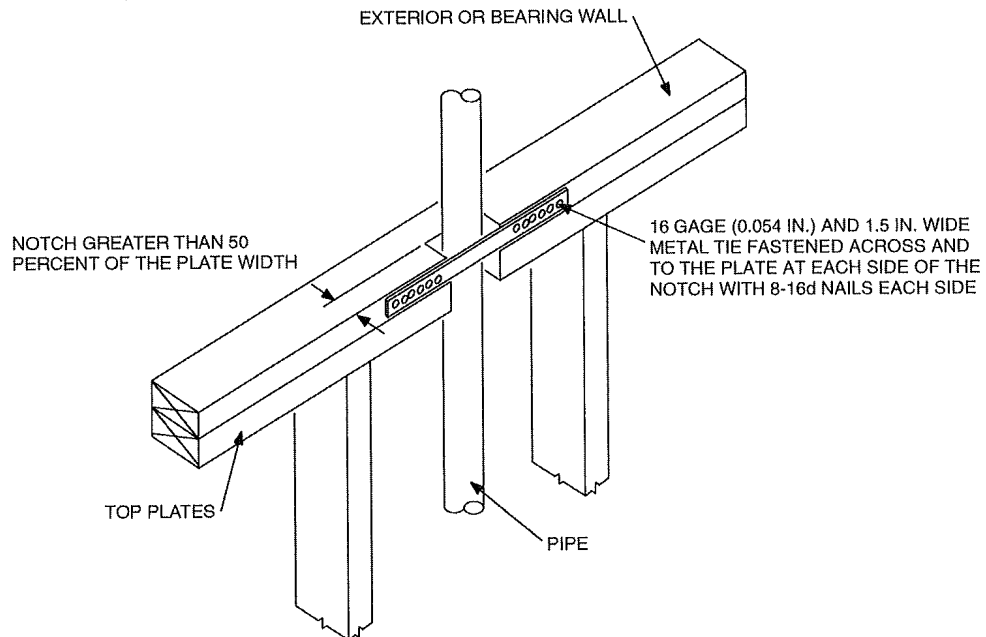
13.5 PLUMBING

- 13.5.1 Plumbing fixtures set and connected correctly to supply and drain.
- 13.5.2 Fixtures provided with adequate space and clearances.
- 13.5.3 Hot water provided and is on the left-hand side of fitting/fixture.
- 13.5.4 Pipes above grade or in attic protected from freezing.
- 13.5.5 All required valves accessible: main shutoff, water heater supply, and water closet supply.



- 13.5.6 Clean outs installed correctly with proper access and spacing.
  - 13.5.7 All potable water outlets properly protected from backflow/backsiphonage; hose bibs have permanently attached vacuum breakers.
  - 13.5.8 Water heater temperature and pressure relief valve(s) operate freely without leaks.
- 13.6 MECHANICAL
- 13.6.1 Outdoor condenser is secured against uplift per Windstorm Requirements (150mph).
  - 13.6.2 Breaker properly sized per manufacturer's specifications for min and max sizes.
  - 13.6.3 All penetrations and exhaust vents sealed properly.
  - 13.6.4 Central air conditioning is operable.
  - 13.6.5 Heater/furnace flue pipe is properly installed per manufacturer's specifications.
  - 13.6.6 Heating and cooling equipment and ducts are properly supported by building structure.
  - 13.6.7 Manufactured fireplaces functioning properly.
  - 13.6.8 Pan under cooling coil is installed with proper slope to drain line.

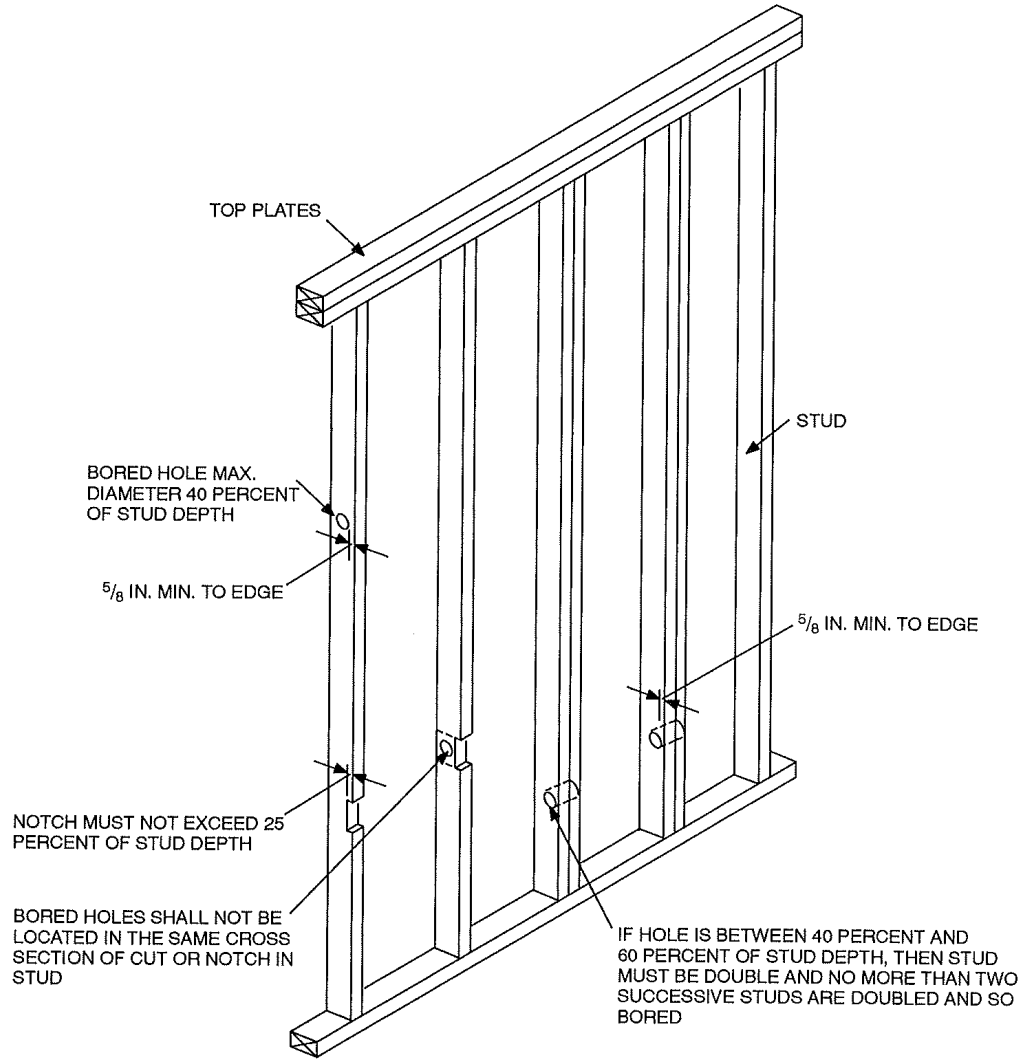
### Figures for boring and notching of structural members



For SI: 1 inch = 25.4 mm.

**FIGURE R602.6.1  
TOP PLATE FRAMING TO ACCOMMODATE PIPING**

**Figures for boring and notching of structural members Cont.**

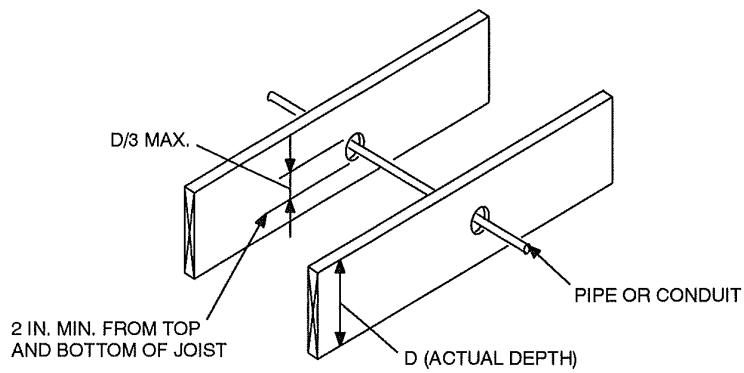
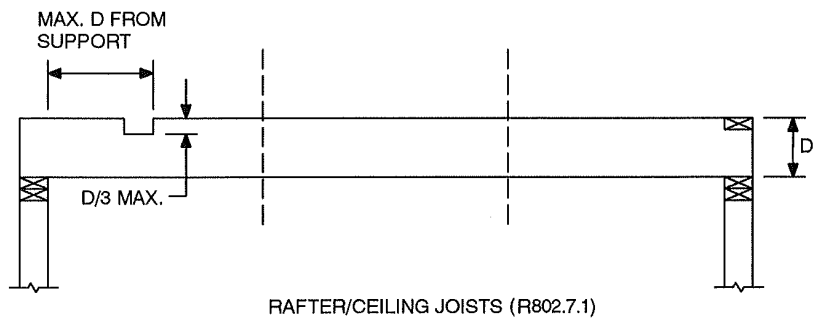
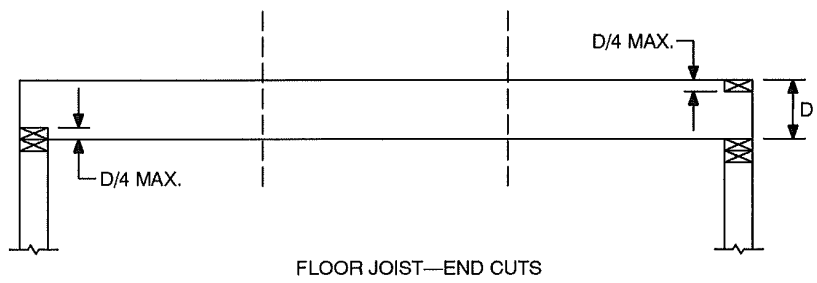
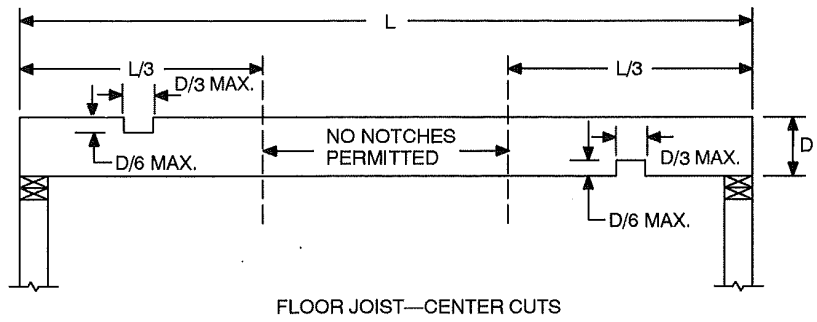


For SI: 1 inch = 25.4 mm.

**NOTE:** Condition for exterior and bearing walls.

**FIGURE R602.6(1)  
NOTCHING AND BORED HOLE LIMITATIONS FOR EXTERIOR WALLS AND BEARING WALLS**

**Figures for boring and notching of structural members Cont.**



1 inch = 25.4 mm.

**FIGURE R502.8  
CUTTING, NOTCHING AND DRILLING**



## **Estándar de Procedimientos Operativos**

### **Para inspecciones residenciales unifamiliares**

Esta guía enumera la mayoría de las inspecciones requeridas normalmente para la construcción de viviendas unifamiliares. Puede haber más o menos inspecciones requeridas a discreción del Oficial de la Construcción para verificar el cumplimiento del código. Es responsabilidad del superintendente de trabajo asegurarse de que el proyecto esté listo para ser inspeccionado y accesible para el inspector. La Ciudad de Freeport se adhiere y hace cumplir los Códigos Residenciales Internacionales de 2015, los Códigos de Construcción Internacionales de 2015, el Código Eléctrico Nacional de 2014 y el IECC (Código de Energía) de 2015 según el estado de Texas, y vientos de 150 mph según las Tablas de Códigos.

***Para programar inspecciones, llame al 979-871-0109***

#### 1. Todas las inspecciones

- 1.1 Dirección adecuada claramente visible desde la calle.
- 1.2 Planes aprobados por la ciudad en el sitio.
- 1.3 Deje un aviso de corrección o aprobación en todas las inspecciones.
- 1.4 Verificar aviso previo sobre reinspecciones.
- 1.5 Verifique los comentarios de las inspecciones de la impresión en las reinspecciones.
- 1.6 Verifique la limpieza general del lugar de trabajo.
- 1.7 Contención de escombros proporcionada en el sitio.
- 1.8 Barrera de construcción en los sitios de trabajo que bordean la residencia ocupada.
- 1.9 Mantenga las calles libres de materiales de construcción y escombros.
- 1.10 Se utilizan cables de extensión adecuados.
- 1.11 El agua que se usa para la construcción a partir de bebederos o bocas de incendio debe tener un dispositivo de prevención de reflujo.
- 1.12 Proporcionar instalaciones sanitarias temporales en un lugar dentro de los 200 pies de cada casa en onstrucción.
- 1.13 Proporcionar cercas de sedimento en el perímetro del sitio de construcción, entrada protegida de la construcción y bolsas de arena u otra medida aprobada de protección contra aguas pluviales en las entradas de alcantarillado luvial.
- 1.14 Proporcione un área de "lavado" para el concreto.

#### 2. Inspecciones de T-Pole

- 2.1 El poste está seguro en el suelo.
- 2.2 Tomacorrientes con protección GFCI y provistos de cubiertas adecuadas a prueba de intemperie.
- 2.3 Cable de tierra asegurado a la varilla de tierra.
- 2.4 La caja es resistente a la intemperie, está en buenas condiciones y muestra la dirección de la ubicación.

#### 3. Inspecciones de plomería de tierra (programa con inspección de alcantarillado y tubería de agua).

- 3.1 Prueba DWV: Prueba hidrostática (agua) con una pila de 10 'por encima del piso terminado dentro de los encofrados, verifique visualmente las juntas en busca de fugas; No se permiten pruebas de aire para PVC (tuberías o accesorios de plástico).
- 3.2 Desagüe del edificio con una profundidad mínima de 12 "a la salida del edificio.

- 3.3 Tubería con pendiente adecuada.
  - 3.4 La tubería tiene un lecho continuo de material sólido.
  - 3.5 Cubra toda la plomería en vigas estructurales con un mín. Tubería SDR de 24 "de largo 2 tamaños más grande que la tubería que se va a revestir.
  - 3.6 Verifique que la conexión de la junta de la tubería sea adecuada, lo que incluye: desbarbado, imprimación y pegamento.
4. Inspección de la línea de agua (programa con inspección de alcantarillado y plomería).
    - 4.1 Materiales y accesorios adecuados utilizados.
    - 4.2 La línea está ubicada a un mínimo de 5 'horizontalmente de la alcantarilla o en un estante a 12 "por encima de la alcantarilla.
    - 4.3 La línea es continua revestida de material sólido y tendrá un mínimo de 12 "de cobertura.
    - 4.4 La línea se prueba con aire a un mínimo de 60 psi o el agua de la ciudad está encendida.
5. Inspección de la línea de alcantarillado (horario con inspecciones de agua y suelo).
    - 5.1 Se toman medidas para permitir un mínimo de 12 "de relleno sobre la línea de alcantarillado.
    - 5.2 El alcantarillado está debidamente inclinado y cubierto de arena.
    - 5.3 Limpieza proporcionada en la transición del drenaje del edificio al alcantarillado del edificio (a no más de 3 'de distancia de los cimientos), y en cualquier cambio de dirección, y el alcantarillado corre más de 100' LF
    - 5.4 La alcantarilla se prueba con una pila de agua a 10 'sobre el piso terminado, fuera de la forma.
6. Inspección de cimientos (debe tener una prueba hidrostática de 10 'en PVC)
    - 6.1 Levantamiento de forma cerrada con la parte superior de la losa y elevaciones de nivel natural anotadas. Debe entregarse en la oficina de permisos antes de la inspección.
      - 6.1.1 Llame a Drilled Piers como una inspección parcial de los cimientos y coordine con el departamento de construcción para un tiempo de inspección o haga que el ingeniero de registro proporcione una carta de inspección sellada que certifique que "los pilares se instalaron según el diseño de los ingenieros y los planos aprobados".
      - 6.1.2 La encuesta de pilotes debe enviarse a la oficina antes de programar una inspección de pilotes (solo en casas elevadas)
      - 6.1.3 Inspección del sitio de los pilotes para verificar la ubicación y el cumplimiento de los contratiempos y servidumbres (solo viviendas elevadas)
    - 6.2.1 Proporcionar certificados de elevación de FEMA en las áreas requeridas. Habrá tres certificados en total, Documentos de construcción, Edificio en construcción y Construcción final.
    - 6.2.2 Zonas AE, el piso más bajo debe estar por encima de la elevación de inundación base por un mínimo de 18 ".
    - 6.2.3 Zonas AO, el piso más bajo debe estar por encima del grado natural existente adyacente más alto al menos tan alto en pies en el FIRM de la ciudad más 18 ".
    - 6.2.4 Zonas X, la parte superior del encofrado debe estar a 18 "por encima del nivel natural (NG). No se requiere certificado de elevación para la zona X.
  - 6.3 Disposición de las vigas, tamaños de las vigas, número de tendones, barras de esquina y acero de refuerzo según los planos aprobados por la ciudad **con sello de ingeniero** .
  - 6.4 Proporcione un electrodo ubicado cerca de la parte inferior de la base que consta de 20 'de barra de refuerzo como mínimo 1/2 " , o 20' de cobre desnudo no menor de 4 AWG.
  - 6.5 Las almohadillas son firmes y uniformes.
  - 6.6 Proporcione líneas de cuerda para verificar el espesor de la losa.
  - 6.7 Las vigas son firmes en la parte inferior, sin agua que cubran el acero o los tendones.
  - 6.8 Sin agujeros en la barrera de vapor, barrera de vapor pegada con cinta en todas las uniones con una superposición mínima de 6 ".
  - 6.9 Ningún acero estructural en la losa debe estar soportado por soportes de acero en contacto con el suelo (no se permiten soportes de acero envuelto o cinta adhesiva).
  - 6.10 Barrera de masilla en todo el PVC expuesto a 4 "por encima del piso terminado como mínimo.
  - 6.11 El sistema de plomería DWV se probará después de la instalación mediante una prueba hidrostática (agua) de 10 pies de altura. Sin prueba de aire en PVC.

- 6.12 Las tuberías que pasan por debajo de una zapata o que atraviesan una viga deben tener una manga de tubería, dos tamaños de tubería más grande que la tubería que pasa a través de ella.
- 6.13 Todos los cubos de la tina deben tener un mínimo de 4 "de espacio libre a la barrera de vapor en todos los lados.

7. Inspecciones de encubrimiento : la estructura se secó: techo completo, todas las puertas y ventanas instaladas, revestimiento y barrera contra la humedad instalados y sellados. La plomería y el gas deben tener una prueba presurizada en el sistema. Instale barandillas temporales en escaleras y balcones (marcos, electricidad, plomería, gas, mecánicos y bloqueos contra incendios). **Debe tener una carta de aprobación del ingeniero para vientos de 150 mph según los mapas de viento del IRC de 2015.**

Proporcionar al departamento de construcción un certificado de elevación de FEMA para las casas elevadas sobre pilotes según el edificio en construcción: Para las zonas VE, la parte inferior del miembro estructural horizontal más bajo debe estar por encima de la elevación de inundación base en un mínimo de 12 ".

## 7.1 PAREDES

- 7.1.1 Los postes deben ser de madera de grado mínimo N ° 3, estándar o de tipo postes.
- 7.1.2 El tamaño, la altura y el espaciado de los montantes deben estar de acuerdo con la tabla R602.3 (con excepciones).
- 7.1.3 Cuando las viguetas, armaduras o vigas están espaciadas a más de 16 "en el centro y los montantes de apoyo están espaciados a 24" en el centro, dichos miembros deben apoyarse dentro de las 5 "de los montantes debajo (con excepciones).
- 7.1.4 Las muescas de cualquier montante en una pared exterior o tabique de apoyo se pueden cortar o hacer muescas a una profundidad que no exceda el 25% de su ancho. Las particiones no portantes no pueden exceder el 40% de un solo montante.
- 7.1.5 Al taladrar y perforar cualquier perno, el diámetro del agujero resultante no debe ser más del 60% del ancho del perno, el borde del agujero no debe estar a más de 5/8 de pulgada hasta el borde del perno y el agujero no es ubicado en la misma sección que un corte o muesca. Los postes ubicados en muros exteriores o tabiques portantes perforados en más del 40% y hasta el 60% se deben doblar con no más de 2 postes dobles sucesivos perforados (con excepción).
- 7.1.6 Las placas superiores no deben tener menos de 2 "de espesor nominal y un ancho por lo menos igual al ancho del montante (con excepción).
- 7.1.7 Placa inferior (suela), los pernos deben tener rodamiento completo o una placa o alfézar nominal de 2 pulgadas o más que tenga un ancho al menos igual al ancho de los montantes.
- 7.1.8 Perforar y cortar la placa superior en más del 50% de su ancho requerirá que se sujete una placa de metal galvanizado a través y a la placa a cada lado de la abertura con no menos de 8 clavos 16D en cada lado (con excepción).
- 7.1.9 Se debe proporcionar un bloqueo contra incendios para cortar todas las aberturas de tiro ocultas (tanto verticales como horizontales) y para formar una barrera entre los pisos y entre un piso superior y el espacio del techo.
- 7.1.10 Encabezados sobre todas las aberturas del tamaño adecuado.
- 7.1.11 Cuando la abertura de una ventana operable se ubica a más de 72 "sobre el nivel de acabado o la superficie debajo, la parte más baja de la abertura libre de la ventana debe estar a un mínimo de 24" sobre el piso de acabado de la habitación ubicada (con excepción).
- 7.1.12 Los requisitos de acristalamiento para ventanas deben referirse a la sección R308.

## 7.2 TECHO / PISO

- 7.2.1 Viguetas de cielorraso del tamaño de los planos aprobados por la ciudad
- 7.2.2 Las habitaciones, pasillos, pasillos, baños, baños, cuartos de lavado y sótanos habitables deben tener una altura de techo de no menos de 7 'medidos desde el piso terminado hasta la proyección más baja del techo (con excepciones).
- 7.2.3 Los extremos de las viguetas no deben tener menos de 1.5 "de apoyo en madera o metal y no menos de 3" en mampostería u hormigón.
- 7.2.4 El armazón de viguetas de lados opuestos del muro de carga debe traslaparse un mínimo de 3 "y clavarse con un mínimo de (3) clavos frontales 10D.
- 7.2.5 La viga del cielo raso debe estar soportada por anclajes de armazón aprobados o en listones de listones no menores a 2 "x 2" nominales.

- 7.2.6 La vigueta del cielo raso debe apoyarse lateralmente en los extremos mediante un bloque sólido de profundidad total (espesor nominal mínimo de 2"), o mediante fijación a un dintel, banda o tabla de borde / vigueta de profundidad completa, o a un montante contiguo o provisto de otro modo con soporte para evitar la rotación (Rat Run).
- 7.2.6.1 Las viguetas de cielo raso que excedan un valor nominal de 2" x 12" deben estar apoyadas lateralmente por bloques sólidos, puentes diagonales o una tira continua de 1" x 3" clavada en la parte inferior en intervalos que no excedan los 8'.
- 7.2.6.2 La perforación y la entalladura de los miembros estructurales del techo / piso no se deben cortar ni perforar más allá de las limitaciones permitidas.
- 7.2.7 Los edificios con techos o techos combustibles deben tener una abertura de acceso al ático (22 x 30) a las áreas del ático que excedan los 30 pies cuadrados y tengan una altura vertical de 30" o más.

### 7.3 TECHO

- 7.3.1 Las vigas se enmarcarán a una tabla de cumbrera (mínimo de 1 pulgada) de espesor nominal y las crestas de limatesa y valle (mínimo de 2 pulgadas) de espesor nominal y deberán estar soportadas por una riostra a una partición de apoyo para distribuir la carga.
- 7.3.2 Cuando las vigas del cielo raso no estén conectadas a las vigas, se deben instalar amarres para vigas para proporcionar un amarre continuo, mínimo 2 x 4 nominal.
- 7.3.3 Las crestas de limatesa y valle que se empalman deben laminarse en ambos lados con madera contrachapada de 1/2 pulgada que se extienda un mínimo de 18 pulgadas desde ambos lados del empalme.
- 7.3.4 Las correas deben tener un tamaño no menor que el tamaño requerido de las vigas que soportan. Las correas deben ser continuas y estar soportadas por tirantes de 2 x 4 instalados en muros de carga en una pendiente no menor a 45° desde la horizontal y espaciados no más de 4' en el centro y la longitud no reforzada de los tirantes no debe exceder los 8'.
- 7.3.5 Los extremos de las vigas y las vigas del cielo raso no deben tener menos de 1-1/2" de apoyo en madera / metal y no menos de 3" en mampostería / concreto.
- 7.3.6 Las vigas y las vigas del techo que excedan 2 x 10 (dimensión nominal) deberán contar con soporte lateral en los puntos de apoyo para evitar la rotación.
- 7.3.7 Las vigas y las vigas del cielo raso que excedan 2 x 12 (dimensión nominal) deben estar soportadas lateralmente por bloques sólidos, puentes diagonales o clavos continuos de 1 x 3 a intervalos que no excedan los 8'.
- 7.3.8 Todos los valles, crestas de cadera y tirantes deben apoyarse con 2 o más postes en las paredes de restricción de carga (política departamental).

### 7.4 ESCALERAS

- 7.4.1 Escalera con un ancho mínimo de 36" de ancho libre en todos los puntos por encima de la altura permitida del pasamanos y por debajo de la altura del espacio para la cabeza requerida.
- 7.4.2 El espacio libre mínimo en todas las partes de la escalera no debe ser menor de 6'8".
- 7.4.3 Máximo de 7-3/4" del contrahuella con una variación de 3/8" de pulgada sobre todo.
- 7.4.4 Profundidad mínima de la banda de rodadura de 10" con un reborde de no menos de 3/4" y no mayor de 1 1/4" con una variación de 3/8" de pulgada sobre todo (con excepciones).
- 7.4.5 Deberán proporcionarse pasamanos en al menos un lado de cada tramo continuo de peldaños o tramo con 4 o más contrahuellas.
- 7.4.6 La altura del pasamanos, medida verticalmente desde la nariz, no debe ser menor de 34" ni mayor de 38" (con excepciones).

### 7.5 ELÉCTRICO

- 7.5.1 El cableado está correctamente incrustado en las paredes
- 7.5.2 Recomendación de tamaño mínimo de cable de calibre 12.
- 7.5.3 Alambre de aluminio no permitido más allá del metro.
- 7.5.4 Los tomacorrientes deben instalarse de manera que ningún punto medido horizontalmente a lo largo de la línea del piso en cualquier espacio de la pared sea más de 6'.
- 7.5.5 Un espacio de pared se considera cualquier espacio de 2' o más de ancho, incluso alrededor de las esquinas y sin interrupciones a lo largo de la línea del piso.
- 7.5.6 Los pasillos de 10' o más de largo deben tener al menos una salida.

- 7.5.7 Los tomacorrientes instalados en las encimeras de la cocina de 12" o más anchos y ningún punto a lo largo de la pared está a más de 24" horizontalmente de un tomacorriente (con excepción).
- 7.5.8 Los espacios de mostrador de la Isla y Peninsular deberán tener al menos un tomacorriente instalado.
- 7.5.9 Se permite que los enchufes estén ubicados arriba, pero no más de 20" por encima de la encimera.
- 7.5.10 Los enchufes en las islas deben ubicarse a no más de 30 cm (30 cm) por debajo de la parte superior de la encimera. Los tomacorrientes no deben ubicarse debajo de una encimera donde la encimera se extienda más de 6" más allá de su base.
- 7.5.11 Se debe instalar al menos una salida en los baños dentro de las 36" del borde exterior de cada lavabo (con excepción).
- 7.5.12 Llenado adecuado de la caja (número de conductores y electrodomésticos en la caja eléctrica empotrada).
- 7.5.13 Cuando estén sujetos a daños, los métodos de cableado a través de orificios con muescas / perforaciones a menos de 1-1/4" del borde más cercano del montante se protegerán con una placa de clavos de 1/16 de pulgada de grosor y la longitud adecuada.
- 7.5.14 Todos los detectores de humo deben estar listados de acuerdo con UL 217 e instalados con la disposición de este código y la disposición de equipos de advertencia de incendios domésticos de NFPA 72.

## 7.6 PLOMERÍA

- 7.6.1 La tubería de distribución de agua se probará a 60 psi, verifique visualmente que no haya fugas en el sistema.
- 7.6.2 DWV para ser probado con prueba hidrostática (agua) 5' por encima de la conexión de conexión más alta o el punto más alto del sistema completo. No se permiten pruebas de aire para PVC (tuberías o accesorios de plástico).
- 7.6.3 Todas las bandejas de ducha instaladas en prueba para inspección (llenas de agua 2" como mínimo).
- 7.6.4 Tubería de distribución de agua del tamaño adecuado, uso del material correcto, juntas hechas correctamente, portabilidad del agua correctamente protegidas.
- 7.6.5 Drenajes del tamaño adecuado e inclinados, materiales correctos utilizados, ajuste correctamente utilizado, juntas hechas correctamente, trampas correctamente protegidas con ventilación.
- 7.6.6 Perforación o entalladura de miembros estructurales dentro de los límites permitidos o reparados correctamente.
- 7.6.7 Toda la tubería (que no sea de acero o hierro fundido) dentro de 1-1/4" del borde de los miembros de madera debe estar protegida con placas de protección de calibre 16.
- 7.6.8 Prueba de plomo; Verifique el contenido de soldadura en las juntas de las tuberías de distribución de agua para ver si hay contenido de plomo.
- 7.6.9 Accesorios provistos de espacio y espacios libres adecuados.
- 7.6.10 No se permiten terminales de ventilación de plomería a 10' de las ventanas, puertas o ventilaciones del plafón operables a menos de 2' por encima de la abertura.
- 7.6.11 Bridas de inodoro en tarimas de madera aseguradas con un mínimo de 4 sujetadores.
- 7.6.12 Limpiezas de plomería provistas con el espacio adecuado.
- 7.6.13 Calentador de agua instalado correctamente; La tubería de descarga de T&P hecha de materiales y juntas correctos, sin trampas, no contiene más de (4) conexiones de 90° y no más de 30' de longitud desarrollada a menos que la tubería sea de mayor tamaño (fabricante); Se requiere una bandeja de drenaje donde las fugas pueden causar daños con una línea de drenaje de al menos 1". La línea T&P puede drenar a la sartén con un espacio de aire, siempre que la sartén se drene hacia el exterior.
- 7.6.14 Los calentadores de agua dobles se pueden instalar en paralelo con conexiones de agua caliente iguales, no en serie.

## 7.7 GAS

- 7.7.1 Inspección aproximada; Prueba de gas mínimo 40 psi con un manómetro de prueba tipo RESORTE. Inspección del MEDIDOR de gas o GTO; Prueba de gas mínimo 5 psi usando un medidor de prueba tipo DIAFRAGMA.
- 7.7.2 Tubería de gas del tamaño adecuado según la tabla de tamaños del Código Internacional 2015.
- 7.7.3 La tubería de gas dentro de los cimientos de concreto estructural debe instalarse dentro del conducto, sellada donde la tubería entra / sale del conducto y el conducto se ventila al exterior.
- 7.7.4 Todos los respiraderos de gas terminados con una tapa aprobada a la distancia correcta sobre el techo y lejos de las paredes, ventanas, plafones, etc.; Penetración del techo debidamente tapada.
- 7.7.5 Se recomienda instalar una válvula de gas de paso total entre el medidor de gas y la casa.
- 7.7.6 Debe permanecer la limpieza de la ciudad de 6" para los lotes en el área del grifo. Ejemplo: hay una doble Y de 6" por 4", por lo que la limpieza de 6" debe extenderse por encima del suelo.



## 7.8 MECÁNICO

- 7.8.1 Se debe acceder a los artefactos instalados en las habitaciones por una abertura o puerta, un pasillo sin obstrucciones de no menos de 24 "de ancho, un espacio de servicio nivelado de no menos de 30" de profundidad y la altura del artefacto.
- 7.8.2 Los electrodomésticos instalados en áticos deben tener una abertura y un pasillo despejado y sin obstrucciones para retirar el electrodoméstico más grande, un pasillo de 24 "de ancho, un espacio de servicio nivelado de 30" de profundidad y 30 "de ancho, con una abertura de acceso despejada de un mínimo de 20" x 30 " (con excepciones).
- 7.8.3 Se debe ubicar una luminaria en la abertura requerida controlada por un interruptor y un tomacorriente en o cerca del electrodoméstico.
- 7.8.4 Tuberías instaladas a través de orificios perforados, muescas en montantes, viguetas y vigas a menos de 1-1 / 4 "del borde más cercano para protegerlas con placas de protección que se extiendan 2" por encima de la placa inferior y 2 "por debajo de la placa superior.
- 7.8.5 Los cimientos y soportes para sistemas mecánicos exteriores deben elevarse un mínimo de 3 "por encima del nivel terminado.
- 7.8.6 Drenajes secundarios de A / C terminados en un punto exterior visible de eliminación, o instalación para interruptor de flotador en bandeja de drenaje cableado para desactivar la unidad mecánica en lugar de una línea de drenaje secundaria.
- 7.8.7 El tamaño de la línea de drenaje de condensado no debe ser menor de 3/4 de pulgada (diámetro interno), no debe reducirse de tamaño desde el drenaje hasta el punto de eliminación ni debe instalarse en una pendiente uniforme.
- 7.8.8 La línea de drenaje principal se aislará desde la unidad hasta el punto de entrada en la placa superior (política departamental).
- 7.8.9 Unidades mecánicas y conductos debidamente apoyados a la estructura del edificio.
- 7.8.10 Ubicaciones prohibidas para el retorno de aire para sistemas de calefacción o enfriamiento de aire (con excepciones).
- 7.8.11 Aparatos de chimenea con respiraderos de gas de clase B instalados según las instrucciones del fabricante.
- 7.8.12 En las campanas extractoras de techo, se debe mantener un espacio libre de 24 "entre la superficie de cocción y el material combustible o el gabinete.
- 7.8.13 Los conductos de escape de las secadoras de ropa deben terminar hacia el exterior y no menos de 3 'en cualquier dirección desde las aberturas hacia el edificio.
- 7.8.14 Los conductos de escape de la secadora de ropa de cuatro (4) pulgadas no deben exceder los 35 'con deducciones de 2.5' para cambios de dirección de 45 ° y 5 'para cambios de dirección de 90 °.
- 7.8.15 La secadora tiene un tamaño de tubería mínimo de 4 "y no se debe reducir ni aumentar. El tubo de escape debe ser del mismo tamaño hasta la terminación.
- 7.8.16 La terminación de escape no debe estar protegida y debe tener un accesorio de extremo de tipo amortiguador.

## 7,9 BLOQUEO CONTRA INCENDIOS

- 7.9.1 Se debe proporcionar un bloqueo contra incendios para cortar todas las aberturas de tiro ocultas (verticales y horizontales) y para formar una barrera contra incendios efectiva entre los pisos y entre un piso superior y un espacio en el techo.
- 7.9.2 Se proporcionará bloqueo contra incendios para chimeneas y chimeneas.
- 7.9.3 Se mantendrá la integridad de todos los bloques cortafuegos.
- 7.9.4 El material de bloqueo contra incendios debe consistir en madera nominal, 2 capas de OSB de 5/8 ", madera contrachapada de 3/4", placa de yeso de 1/2 "o plancha dura de 1/4". Se permitirán bloques y mantas de lana mineral o fibra de vidrio u otros materiales aprobados instalados y asegurados en su lugar.

## 7,10 CHIMENEAS Y CHIMENEAS

- 7.10.1 Las extensiones de la chimenea deben extenderse por lo menos 16 "al frente y 8" más allá de cada lado de la abertura de la chimenea. Cuando la abertura de la chimenea sea de 6 pies cuadrados o más, la extensión del hogar se extenderá 20 "al frente y 12" más allá de cada lado de la abertura.
- 7.10.2 El espacio libre del lugar del fuego de todas las vigas de madera, viguetas, postes y otros materiales combustibles debe tener un espacio libre de no menos de 2 "(con excepciones).

- 7.10.3 Todos los espacios entre las chimeneas y los pisos y techos a través de los cuales pasan las chimeneas deben estar bloqueados contra incendios con material incombustible asegurado en su lugar.
- 7.10.4 Las chimeneas construidas en fábrica deben estar listadas y etiquetadas y deben instalarse de acuerdo con las condiciones de la lista (fabricante).
- 7.10.5 Las extensiones de hogar de las chimeneas construidas en fábrica aprobadas deben instalarse de acuerdo con el listado de la chimenea.
- 7.10.6 Las chimeneas construidas en fábrica deben estar enumeradas y etiquetadas y deben instalarse y terminarse de acuerdo con las instrucciones de instalación del fabricante.

8. Inspecciones de amarres de ladrillos e inspecciones de tornos (inspecciones separadas)

- 8.1 Se ata a 16 "en el centro vertical y horizontalmente. Dos clavos por corbata.
- 8.2 El revestimiento de mampostería se anclará a la pared de soporte con bridas metálicas resistentes a la corrosión.
- 8.3 Se deben colocar amarres alrededor de todas las aberturas de la pared mayores de 16 "en cualquier dimensión. Instale amarres a 12 "de todas las aberturas.
- 8.4 Se aplicará una barrera resistente al agua como medio para drenar el agua al exterior del revestimiento; no menos de una superposición de 2 pulgadas aplicada horizontalmente y una superposición de 6 pulgadas aplicada verticalmente.
- 8.5 Todos los listones y accesorios de listones (reglas de drenaje) deben ser de material resistente a la corrosión.
- 8.6 Los conductores de entrada de servicio que entren o se encuentren en el exterior del edificio deberán estar aislados.
- 8.7 Las penetraciones en las paredes exteriores deben ser herméticas, selladas y a prueba de roedores. Todas las líneas eléctricas, de plomería y de gas que penetren en las paredes exteriores deberán estar aisladas y protegidas de la corrosión.

9. Inspección (es) de calzada / acera / terraplén (Ver detalle de la ciudad).

- 9.1 No hay vegetación dentro del área formada.
- 9.2 Nivele la pendiente correctamente (4 "de profundidad como mínimo).
- 9.3 Conexión adecuada a la calle según el detalle de la ciudad.
- 9.4 Máximo de dos (200) pies cuadrados sin juntas de expansión.
- 9.5 Aceras, junta de expansión con clavijas de 36 'y 4' para controlar juntas.
- 9.6 Los empalmes de barras de refuerzo se superpondrán 30 veces el diámetro de las barras de refuerzo empalmadas.
- 9.7 Se proporciona junta de dilatación entre la estructura y el pavimento exterior (no se requieren tacos).
- 9.8 Clavijas de refuerzo # 4 mínimo 12 "mínimo a través de juntas de expansión en entradas de vehículos, mínimo de varilla # 3 en aceras y patios (no se requiere en los cimientos) máximo 24" OC "o malla de alambre # 6.

10. Inspección del medidor eléctrico para servicios públicos temporales, TCI (el formulario de ENERGÍA TEMPORAL debe recibirse y aprobarse en la oficina antes de la solicitud de inspección ) .

- 10.1 Los electrodos de puesta a tierra están correctamente conectados al panel de servicio.
- 10.2 Electrodo de varilla y tubería de no menos de 8 'de largo.
- 10.3 Verifique que las tuberías de agua metálicas estén unidas al equipo de servicio.
- 10.4 Verifique que el sistema de gas esté unido al equipo de servicio.
- 10.5 Desconexión principal ubicada en el exterior del edificio junto al medidor, a no más de 6'-7 "sobre el nivel del suelo.
- 10.6 El medidor adecuado puede por proveedor de servicios públicos, Center Point o Texas New Mexico.  
El panel de servicio es hermético y no quedan ranuras abiertas en el panel.
- 10.7 Se proporciona un espacio libre mínimo en la parte delantera del panel de servicio de 30 "de ancho y 36" de profundidad.
- 10.8 No se permite el uso de cables de **aluminio** como conductores más allá del medidor hasta el panel de servicio. El proveedor de servicios alimentará alambre de aluminio desde el transformador hasta el medidor. (Esto solo se aplica a Texas New Mexico. Center Point no prestará este servicio).
- 10.9 Una inspección eléctrica sin un formulario TCI aprobado requerirá que todo el cableado termine en accesorios, enchufes e interruptores (sin cableado abierto, sistema eléctrico completo).

11. Prueba de gas / inspección del medidor (se recomienda una válvula de gas de paso total entre el medidor de gas y la casa).

- 11.1 Todos los aparatos a gas y ventilados están correctamente instalados y son seguros de operar.
- 11.2 Trampa de sedimentos instalada en hornos y calentadores de agua no equipados con trampa integrada.
- 11.3 Válvula (s) de alivio del calentador de agua a gas y tubería de descarga completa.
- 11.4 Prueba de gas mínimo 5 psi usando un manómetro de prueba de tipo **diafragma** ; observe 15 minutos para la caída de presión.

- 11,5 Todas las tuberías de gas se completan hasta la válvula de cierre del equipo que se encuentra a 6' como máximo del aparato y es fácilmente accesible; la línea de gas está conectada al electrodoméstico o la línea está tapada más allá de la válvula si el electrodoméstico se agregará más tarde (secadora de ropa, estufa, parrilla); Trampa de sedimentos correctamente instalada entre la válvula de cierre y el calentador de agua o el horno.
- 11,6 Todos los respiraderos de gas correctamente instalados y (fabricante); soportado; terminado con una tapa aprobada a la distancia correcta sobre el techo y lejos de las paredes, ventanas, plafones, etc.; la penetración del techo con tapajuntas correctamente (G2426.7.5); inclinado mínimo 1/4" por pie; el tramo horizontal del conector de ventilación no excede la elevación vertical desde la campana de tiro hasta la terminal; Se mantiene el espacio libre adecuado a los combustibles (fabricante).
- 11,7 Se mantienen los espacios libres alrededor de los electrodomésticos (fabricante).
- 11,8 Aparatos provistos de un correcto aire de combustión y ventilación.
- 11,9 Los electrodomésticos en un ático deben tener una apertura mínima de 30" x 22", una pasarela de un mínimo de 24" de ancho claro y sin obstrucciones por 30" de alto continuo para que sea un camino que no tenga más de 20' desde la apertura hasta el electrodoméstico y termine al mínimo. Plataforma de 30" x 30" frente al lado de servicio del electrodoméstico.
- 11.10 Escalera para ático que desaparece instalada correctamente "con un mínimo de (8) clavos 16D o tirafondos de 4 1/2" x 4".
- 11.11 Los espacios libres alrededor del medidor de gas de las fuentes de ignición (medidores y paneles eléctricos y A / C) según los requisitos del proveedor de servicios públicos son como mínimo de 3'-0".
- 11.12 El sistema de tuberías de gas está unido al panel de servicio según el código eléctrico.

12. Inspección de obras públicas. Disponible bajo pedido.

13. Inspección de ocupación final

- 13,1 Proporcione prueba final de tormenta de viento mediante carta del ingeniero para cumplir con vientos de 150 mph según las tablas de códigos.
- 13,2 Proporcione los certificados de elevación finales y la inspección final, marcados como "Construcción terminada".

13,3 EDIFICIO

- 13.3.1 Dirección permanente en el lugar.
- 13.3.2 Baños portátiles y cercas de serigrafía removidas del sitio.
- 13.3.3 Paneles de tormenta de viento y conexiones ubicadas en el sitio.
- 13.3.4 Los orificios de drenaje se abren en la parte inferior de las paredes de ladrillo y sobre todos los dinteles, con un espaciado máximo de 33".
- 13.3.5 Extremos de los tendones enlechados, clavos removidos.
- 13.3.6 Lote clasificado para un drenaje adecuado, mínimo de dos hileras de césped en la calle para protección contra escorrentías.
- 13.3.7 Las puertas funcionan correctamente y sin el uso de llaves.
- 13.3.8 Pasamanos (34" a 38" de altura) y barandillas (36" de altura mínima) con protectores separados no más de 4".
- 13.3.9 Todas las penetraciones en el exterior de la estructura están debidamente selladas.
- 13.3.10 Todos los escombros de construcción, port-a-latas retirados del sitio.

13,4 ELÉCTRICO

- 13.4.1 Desconexión principal ubicada en el exterior junto al medidor, a una altura máxima de 6'7" sobre el nivel del suelo.
- 13.4.2 El disyuntor principal y todos los circuitos deben tener etiquetas permanentes (tinta sin lápiz) en el panel de servicio y la placa frontal asegurada en su lugar.
- 13.4.3 T-Pole desconectado y retirado del sitio.
- 13.4.4 Todos los receptáculos exteriores deben tener protección de interruptor de circuito de falla a tierra.
- 13.4.5 Interruptor, luces y enchufes operables en todas las habitaciones habitables.
- 13.4.6 Todos los artefactos de iluminación se instalaron en el interior y el exterior y se sellaron correctamente, sin placas en blanco en las cajas.
- 13.4.7 Verifique el funcionamiento del lavavajillas, la trituradora de desperdicios de alimentos, la superficie de cocción, el extractor / microondas de la superficie de cocción y el horno.
- 13.4.8 Los receptáculos protegidos GFCI del interruptor de circuito de falla a tierra requeridos funcionan correctamente, se restablecen en el mismo piso, se restablecen en el exterior en el garaje.

- 13.4.9 Los receptáculos de cocina que sirven a las superficies de las encimeras deben tener protección GFCI con interruptor de circuito de falla a tierra.
- 13.4.10 Desconecte la bañera de hidromasaje en la ubicación adecuada, a 5 pies como mínimo de la bañera.
- 13.4.11 Verifique que todos los enchufes, interruptores y electrodomésticos funcionen correctamente.

### 13,5 PLOMERÍA

- 13.5.1 Los accesorios de plomería están colocados y conectados correctamente al suministro y al drenaje.
- 13.5.2 Accesorios provistos de espacio y espacios libres adecuados.
- 13.5.3 Se proporciona agua caliente y se encuentra en el lado izquierdo del accesorio / accesorio.
- 13.5.4 Tuberías sobre rasante o en ático protegidas del congelamiento.
- 13.5.5 Todas las válvulas requeridas accesibles: cierre principal, suministro de calentador de agua y suministro de inodoro.
- 13.5.6 Las salidas de limpieza se instalaron correctamente con el acceso y el espacio adecuados.
- 13.5.7 Todas las salidas de agua potable debidamente protegidas contra reflujo / contrasifonaje; los baberos de las mangueras tienen interruptores de vacío conectados permanentemente.
- 13.5.8 Las válvulas de alivio de presión y temperatura del calentador de agua funcionan libremente sin fugas.

### 13,6 MECÁNICO

- 13.6.1 El condensador exterior está asegurado contra la elevación según los requisitos de tormentas de viento (150 mph).
- 13.6.2 Interruptor del tamaño adecuado según las especificaciones del fabricante para tamaños mínimo y máximo.
- 13.6.3 Todas las penetraciones y rejillas de ventilación selladas correctamente.
- 13.6.4 El aire acondicionado central funciona.
- 13.6.5 El tubo de humos del calefactor / calefactor está instalado correctamente según las especificaciones del fabricante.
- 13.6.6 El equipo y los conductos de calefacción y refrigeración están debidamente apoyados por la estructura del edificio.
- 13.6.7 Chimeneas fabricadas funcionando correctamente.
- 13.6.8 La bandeja debajo del serpentín de enfriamiento está instalada con la pendiente adecuada a la línea de drenaje.